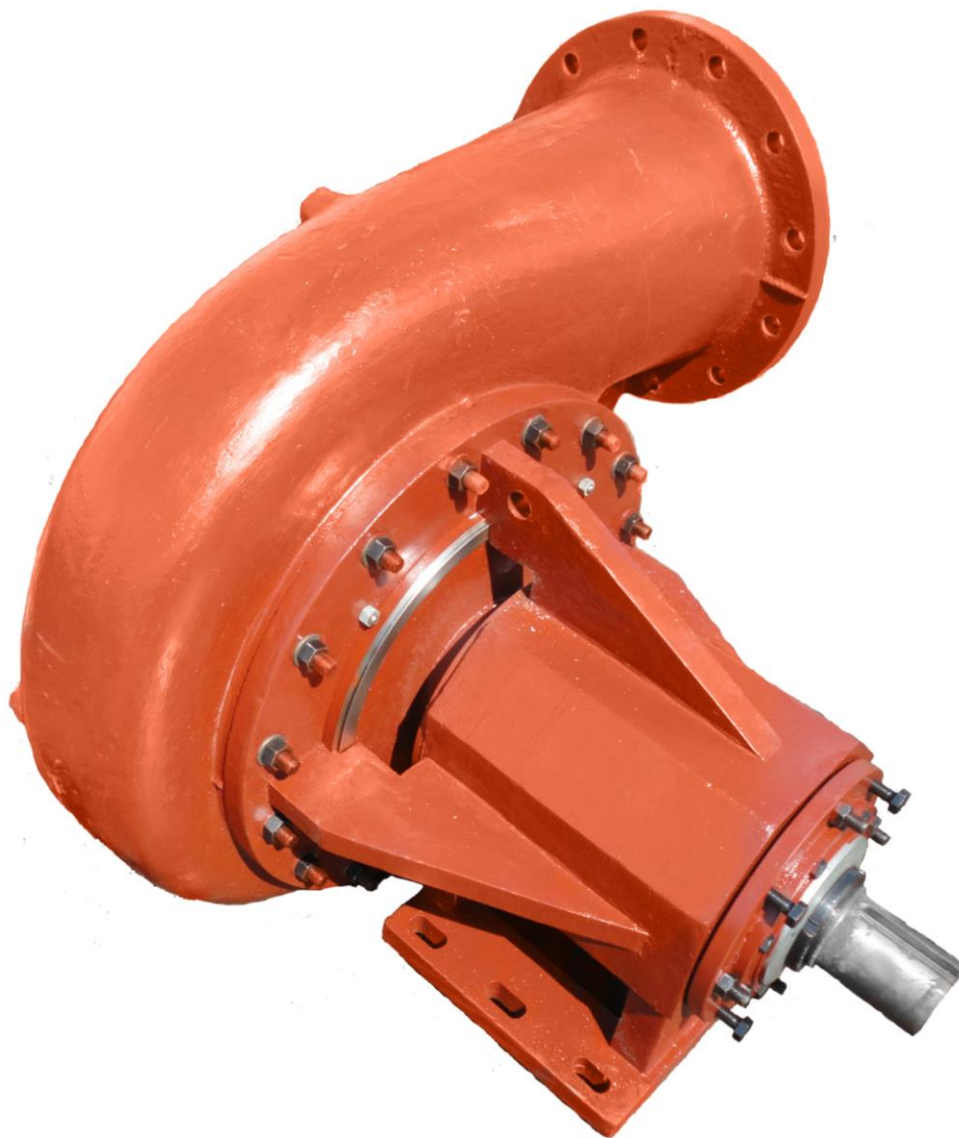
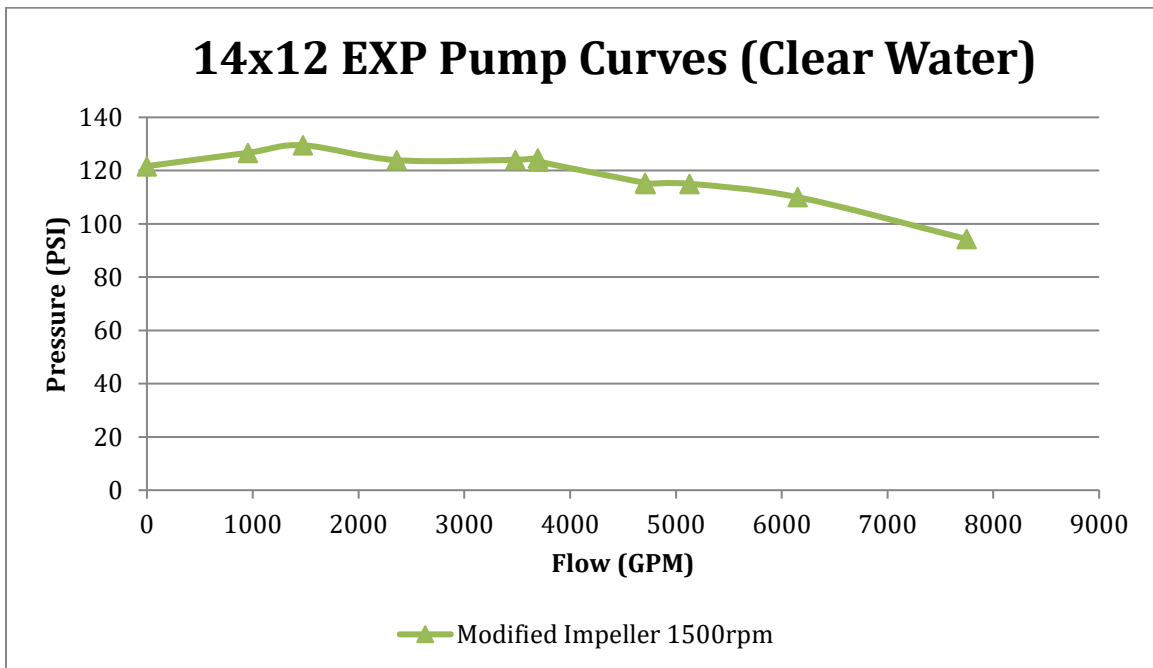
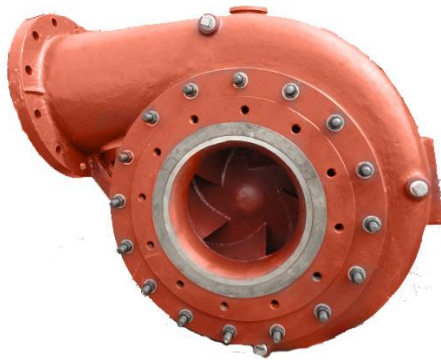


Seal-Less Discharge Pump

14 x 12 – 22 EXP

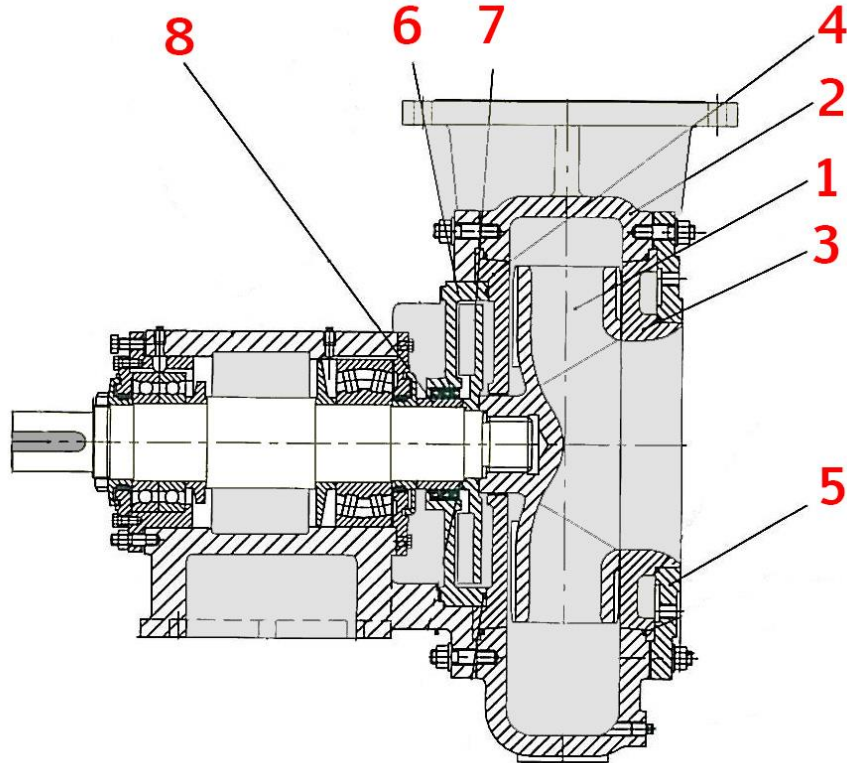




Materials of Construction

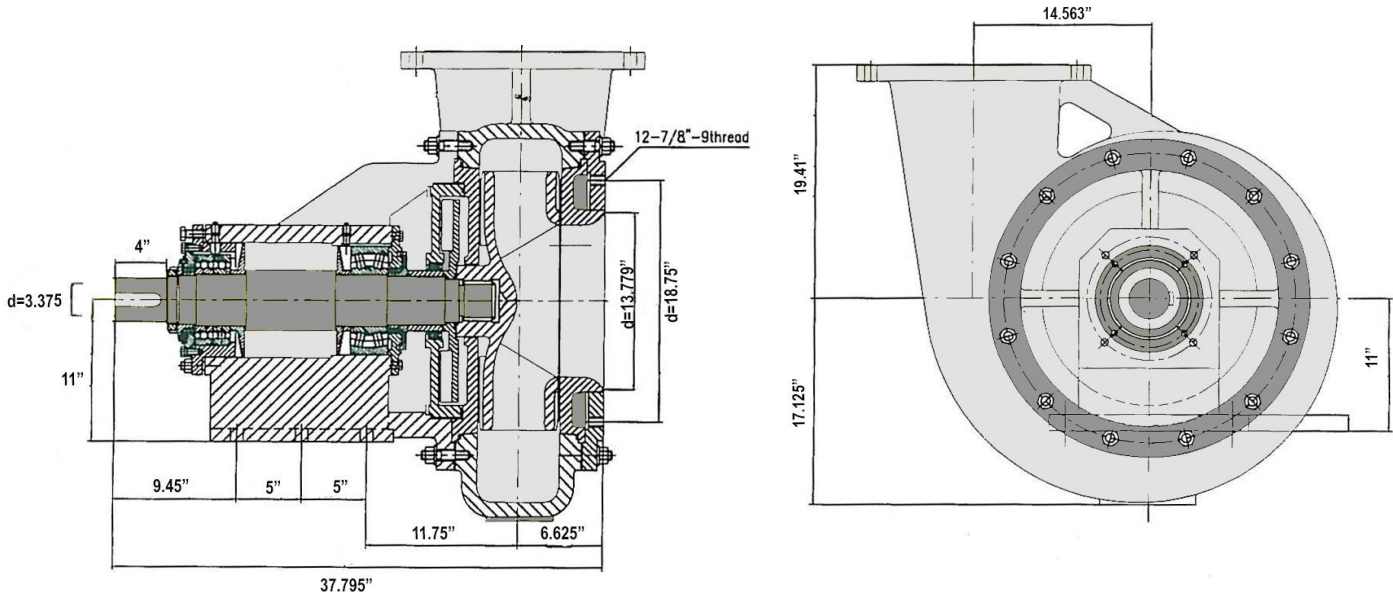
Item Number	Part Name	Material
1	Impeller	AO5
2	Frame Plate	AO5
3	Throat Bushing	AO5
4	Back Liner	AO5
5	Cover Plate	QT500-7
6	Expeller Ring	AO5
7	Expeller	AO5
8	Shaft Sleeve	3Cr13-Ceramic Coated

Sectional Drawing



Dimensional View (Inches)

Net Weight: 2200 lbs.



Features

No Mechanical Seal

High Chrome Material

Dry-Run Capable

Fits Into 14 x 12 – 22 Footprints

Large Shaft and Large Bearings